



# HOSE & CABLE REELS

## NEW GENERATION HOSE REELS FOR COMPRESSED AIR AND WATER

- » High flow and low pressure drop
- » Slow, strong retraction
- » Soft stop-ball prevents tripping

The CEJN Safety Reel is a durable reel that provides excellent performance thanks to its full-flow patented design that, unlike most reels, does not restrict flow. The slow retraction function, hose guiding, PUR hose, soft stop-ball to prevent tripping and anti-kink safety features are just a few examples of what makes these safety reels the best on the market. The reel can swivel 180 degrees allowing the operator to move around freely, and the slow retraction makes it safe and easy for anyone to handle.

**Feeder hose length:** 1,5 m

**Hose material:** Braided PUR

**Temperature range (compressed air):** -20 °C — +60 °C

**Temperature range (water):** +5 °C — +60 °C

Part No.	ID x OD (mm)	Diameter of the reel	Hose length	Max. working pressure	Connection
19 911 2020	PUR 8x12	330 mm	7 m	16 bar	R 1/4"
19 911 2022	PUR 8x12	330 mm	10 m	16 bar	R 1/4"
19 911 2082	PUR 8x12	330 mm	10 m	16 bar	eSafe 320
19 911 2120	PUR 8x12	430 mm	17 m	16 bar	R 1/4"
19 911 2130	PUR 9,5x13,5	430 mm	14 m	16 bar	R 3/8"
19 911 2040	PUR 11x16	330 mm	5 m	12 bar	R 1/2"
19 911 2140	PUR 11x16	430 mm	10 m	12 bar	R 1/2"
19 911 2150	PUR 13x18	430 mm	8 m	10 bar	R 1/2"
Water reels					
19 911 2230	PUR 9,5x13,5	430 mm	14 m	9 bar	R 3/8"
19 911 2240	PUR 11x16	430 mm	10 m	9 bar	R 1/2"



 **Pneumacon**

**PNEUMACON OY EESTI**  
Lõõtsa 2A • 11415 Tallinn  
+372 6 419 491  
info@pneumacon.fi

## COMPRESSED AIR REELS WITH HI-VIS HOSE

» High visibility color

The Safety Reels are available with hi-vis hoses to prevent tripping accidents. The hose color is designed to be easily spotted against most floors and increases the chance for anyone to spot it and step over it, instead of tripping over it.

Reels with Hi-Vis hose has all the same technical features than the regular reels.

**Feeder hose length:** 1,5 m  
**Hose material:** Braided PUR  
**Temperature range:** -20 °C — +60 °C  
**Max. working pressure:** 16 bar



Part No.	ID x OD (mm)	Diameter of the reel	Hose length	Connection
19 911 2028	PUR 8x12	330 mm	10 m	R 1/4"
19 911 2088	PUR 8x12	330 mm	10 m	eSafe 320
19 911 2138	PUR 9,5x13,5	430 mm	14 m	R 3/8"
19 911 2168	PUR 9,5x13,5	430 mm	14 m	eSafe 320

## ELECTRICAL REELS

- » Cable guiding and slow retraction
- » Soft stop-ball prevent tripping
- » Cable jacket is made of a flexible, high-quality rubber

The cable reel is supplied with a thermal overload protection circuit which cuts off the power supply in the event of an overload. It is easy to install, whether mounted on ceiling or wall, and can be disconnected from the wall bracket if necessary.

**Electric current:** 10 A  
**Voltage:** 240 V  
**Temperature range:** - 10 °C - + 50 °C



Part No.	Protection class	Cable length	Power output fully wound	Power output fully unwound	Cable size	Diameter of the reel	Connection
19 911 2350	IP44	10 m	1600 W	2400 W	3 x 1,5 mm <sup>2</sup>	430 mm	Schuko
19 911 2310	IP44	17 m	1600 W	2400 W	3 x 1,5 mm <sup>2</sup>	430 mm	Schuko
19 911 2312	IP65	16 m	1600 W	2400 W	3 x 1,5 mm <sup>2</sup>	430 mm	CEE 216-6
19 911 2320	IP44	17 m	2400 W	3500 W	3 x 2,5 mm <sup>2</sup>	430 mm	Schuko
19 911 2350	IP44	10 m	1600 W	2400 W	3 x 1,5 mm <sup>2</sup>	330 mm	Schuko
19 911 2360	IP44	10 m	2400 W	3500 W	3 x 2,5 mm <sup>2</sup>	430 mm	Schuko

## STAINLESS STEEL REELS (AISI 304)

- » Durable design
- » Easy to clean

CEJN's Washdown reels in stainless-steel are ideal for increasing safety and efficiency in corrosive or harsh environments such as near saltwater or in applications that require a high level of hygiene. CEJN's Washdown reels feature a food-friendly PVC hose, a high-quality spring, 4-rollers hose guide and a swivel that is placed outside the shaft for easy installation and maintenance.

**Feeder hose length:** 1 m

**Reel material:** Stainless steel (AISI 304)

**Hose material:** PVC

**Temperature range (hose):** +5 °C — +70 °C

**Temperature range (reel):** +5 °C — +100 °C

**Diameter of the reel:** 442 mm

**Width of the reel:** 243 mm or 380 mm

Part No.	Connection	Hose size	Width of the reel	Hose material	Hose length	Max. pressure (25°C)
19 913 1016	G 1/2" male	13 mm	192 mm	PVC	15 m	20 bar
19 913 1120	G 1/2" male	13 mm	243 mm	PVC	20 m	20 bar
19 913 1220	G 3/4" male	19 mm	380 mm	PVC	20 m	20 bar
19 913 1065	G 3/8" male	9,9 mm	192 mm	NBR	15 m	400 bar
19 913 1035	G 1/2" male	13 mm	192 mm	NBR	15 m	18 bar
19 913 1140	G 1/2" male	13 mm	243 mm	NBR	20 m	18 bar
19 913 1136	G 3/4" male	19 mm	243 mm	NBR	15 m	18 bar
19 913 1240	G 3/4" male	19 mm	380 mm	NBR	20 m	18 bar
19 913 1100	G 1/2" male	-	243 mm	no hose	max. 20 m 1/2"	40 bar
19 913 1200	19 mm hose fitting	-	380 mm	no hose	max. 20 m 3/4"	15 bar

## STAINLESS STEEL REELS (AISI 316)

- » Durable design
- » For extreme conditions

The stainless steel reels are at their best at the places where other reels won't stand – at the extreme conditions. The reel is available with food-friendly PVC hose

**Feeder hose length:** 1 m

**Reel material:** Stainless steel (AISI 316)

**Hose material:** PVC

**Temperature range (hose):** +5 °C — +70 °C

**Temperature range (reel):** +5 °C — +100 °C

**Diameter of the reel:** 442 mm

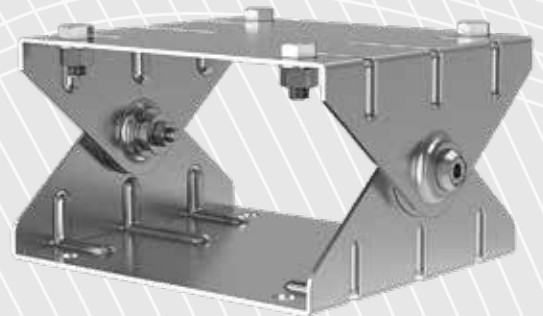
**Width of the reel:** 243 mm or 380 mm



Part No.	Connection	Hose size	Width of the reel	Hose material	Hose length	Max. pressure (25°C)
19 913 2120	G 1/2" male	13 mm	243 mm	PVC	20 m	20 bar
19 913 2220	G 3/4" male	19 mm	380 mm	PVC	20 m	20 bar
19 913 2100	G 1/2" male	-	243 mm	no hose	-	400 bar
19 913 2200	G 3/4" male	-	380 mm	no hose	-	40 bar

## SWING BRACKET

Swing brackets allow the reels to swing +/- 50°. If you intend to work several meters from the mounting point CEJN recommends using a swing bracket. CEJN's open hose reels series 913 are mounted fixed 90° from the wall. The swing bracket will give the hose a straighter angle when pulling/retracting the hose preventing higher pull force and possible tangling of the hose when retracting.



Part No.	Material	General
19 913 9500	AISI 304	Swiveling, for 243 mm reel
19 913 9501	AISI 304	Swiveling, for 380 mm reel
19 913 9503	AISI 316	Swiveling, for 243 mm reel
19 913 9504	AISI 316	Swiveling, for 380 mm reel

## SPRAY GUNS

Spray Gun with the classic design, for hot water up to 60°C with a working pressure of 24 bar. It can resist the max temperature of 90°C for short periods of time. Suitable for washing operations.

**Max. working pressure:** 24 bar

**Max. temperature** +60 °C

**Sealing material:** Viton

**Flow:** 60 l/min



Part No.	Description	General
19 913 9000	Fixed inlet	G 1/2" fem, flow channel in brass
19 913 9001	Swivel inlet	G 1/2" fem, flow channel in brass
19 913 9002	Fixed inlet	G 1/2" fem, flow channel in stainless steel (AISI316)
19 913 9003	Swivel inlet	G 1/2" fem, flow channel in stainless steel (AISI316)