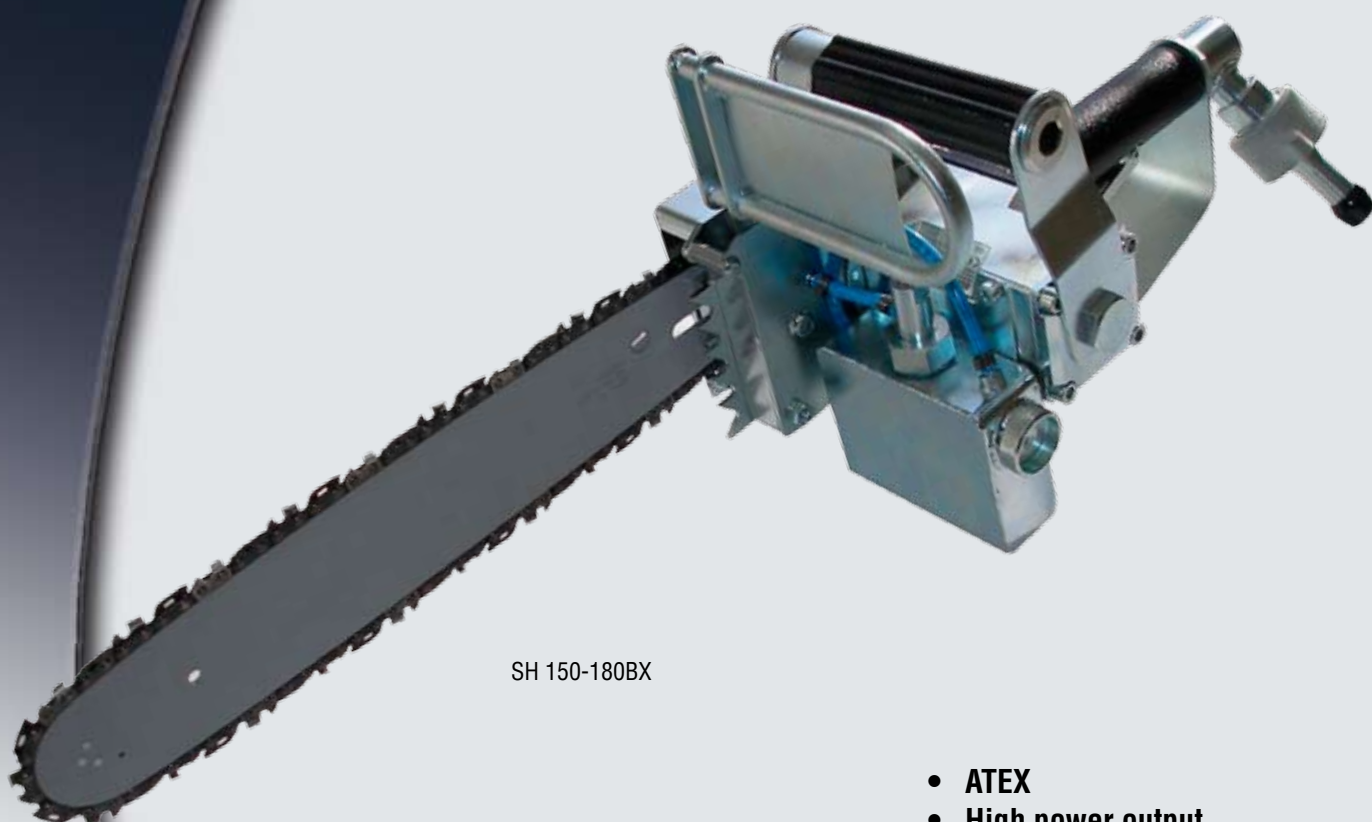


# DEPRAG

---

## INDUSTRIAL

**Air Chain Saw  
Explosive Environment Tool  
Typ SH 150-180BX**

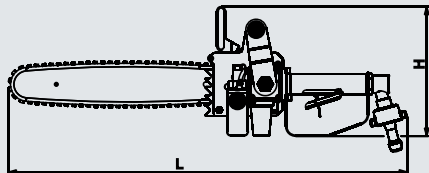
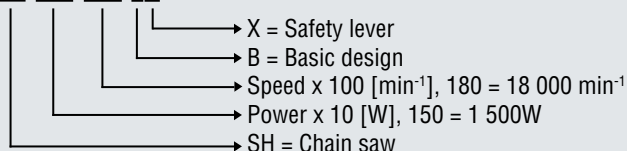


SH 150-180BX

- **ATEX**
- **High power output**
- **Safe operation**
- **Easy control**
- **Simple to operate and maintain**

## Design

### SH 150-180 BX



## Specifications

CE IM2c X II 2 G c II B T4 (130°C) X

### Chain Saw - Full-Metal Construction

#### Model - Lever start with safety lock

#### Part Number

SH 150-180BX

6061125A

Speed (no load)	min <sup>-1</sup>	(rpm)	18 000
Max. power output	KW	(hp)	1,5 (2.0)
* Air consumption (max.power / no load)	m <sup>3</sup> /min	(cfm)	2,30 / 2,95 (81.2 / 104.2)
I.D. of air inlet hose	mm	(in)	16 (5/8")
Max. length of chain bar	mm	(in)	350 (13.8)
Max. cutting diameter	mm	(in)	340 (one side) / 690 (both sides) (13.4/27.2)
Chain lubrication	Automatic		
Volume, oil container	dm <sup>3</sup>	0,25	
Chain brake	Automatic Chain Brake		
Measured and certified emission-level for acoustic-pressure A, L <sub>PAeq,T</sub> (dB/20μPa), measured at no-load according to Norm EN ISO 11 201	102		
Measured and certified emission-level for acoustic-power A, L <sub>WA,G</sub> (dB/1pW), measured at no-load according to Norm EN ISO 3746	117		
Certified acceleration-value of the vibration being transferred to hand-arm-system a <sub>hvd</sub> (m/s <sup>2</sup> ), measured at no-load according to Norm EN ISO 20 643	< 2,5		
Dimensions LxH	mm	(in)	694x225 (27.3x8.9)
Weight	kg	(lbs)	7,6 (16.75)
Air connection	Rd 32		
Air-inlet and exhaust-hose	Supplied without hose		

\* Measured by 6,3 bar

Operating pressure - EX-area 4 bar

Operating pressure - NON EX-area 6,3 bar

## Standard Equipment

Name	Part Number
Chain	6072218
Protective cover	6075819
Oil for chain	830752
Wrench 13/17 mm	830751
Wrench 4 mm	800447
Chain bar	6072217
File Ø 4	6071987

DEPRAG CZ a.s., T.G. Masaryka 113, 507 81 Lázně Bělohrad - Czech Republic

Tel: +420-493 771 511, Fax: +420-493 771 623, E-mail: sales@deprag.cz

Internet: www.deprag.cz