

# DEPRAG

---

## INDUSTRIAL

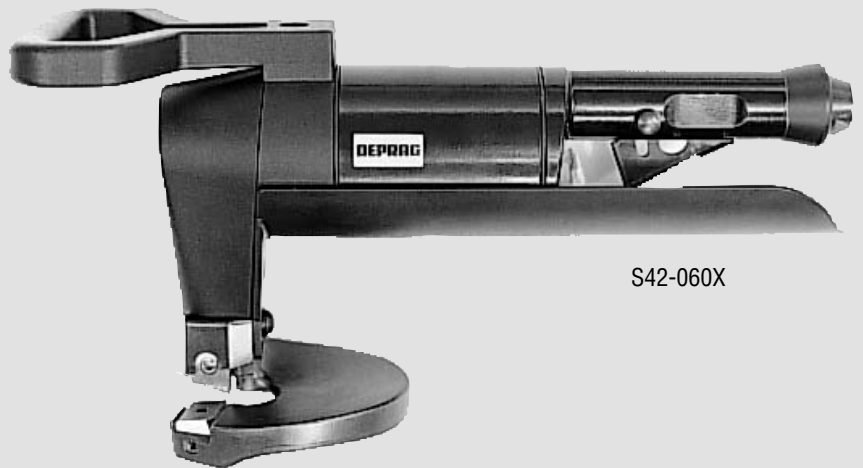
**Pneumatic Sheet Metal Shears**  
handheld, with a material cutting capacity up to 5 mm

Model **S16, S20, S35, S42**

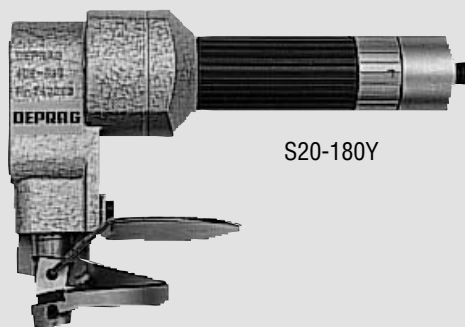
- High cutting speed
- Optimum curve adaptability
- Lateral material discharge due to the ideal deflector geometry
- High machine uptime



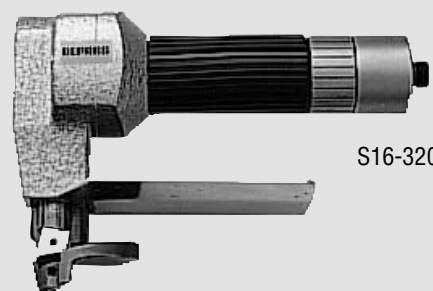
S35-140X



S42-060X



S20-180Y



S16-320Y

## Specifications

Model Part Number	S16-320Y 3240971C	S20-180Y 3388471A	S35-140X 3686551A	S42-060X 3530941A	
Max. metal thickness:					
Sheet metal up to 400N/mm <sup>2</sup>	mm (in)	1,6 (.063)	2 (.078)	3,5 (.138)	4,2 (.165)
Sheet metal up to 600N/mm <sup>2</sup>	mm (in)	1,2 (.047)	1,6 (.063)	3 (.118)	2,8 (.110)
Sheet metal up to 800N/mm <sup>2</sup>	mm (in)	1 (.040)	1,4 (.055)	2 (.078)	2 (.787)
Aluminum up to 250N/mm <sup>2</sup>	mm (in)	2 (.787)	2,5 (.984)	4 (.157)	5 (.196)
Air consumption	m <sup>3</sup> /min (cfm)	0,4 (14.12)	0,4 (14.12)	1,7 (60.03)	1,9 (67.09)
Max. power output	kW (lbs)	0,32 (.43)	0,32 (.43)	1,1 (1.48)	1,2 (1.61)
Impacts (at full load)	min <sup>-1</sup> (rpm)	3200	1800	1350	550
Cutting speed up to	m/min	7	7	5	5
Smallest cutting radius	mm (in)	15 (19/32")	20 (25/32")	30 (1-3/16")	25 (1")
Length	mm (in)	186 (7.33)	210 (8.27)	350 (13.78)	413 (16.26)
Weight	kg (lbs)	1,6 (3.53)	1,9 (4.19)	6,4 (14.11)	5,7 (.22)
I.D. of air inlet hose	mm (in)	6 (1/4")	6 (1/4")	16 (5/8")	16 (5/8")
Air connection		G 1/4" a	G 1/4" a	G 1/2" i	G 1/2" i

Specifications at 90 psi (6,3 bar)

## Standard Equipment

Name				
	Hose nozzle and screw cap Wrench	Hose nozzle and screw cap Wrench	Claw coupler	Claw coupler Wrench Grinding gauge

## Optional Accessories

Name	Part Number			
Pestle knife for 1,5 - 3 mm (600-800N/mm <sup>2</sup> )	-	-	-	820743
Pestle knife for chrome steel	-	-	823865	820895
Rotator knife for chrome steel	-	-	823865	820898